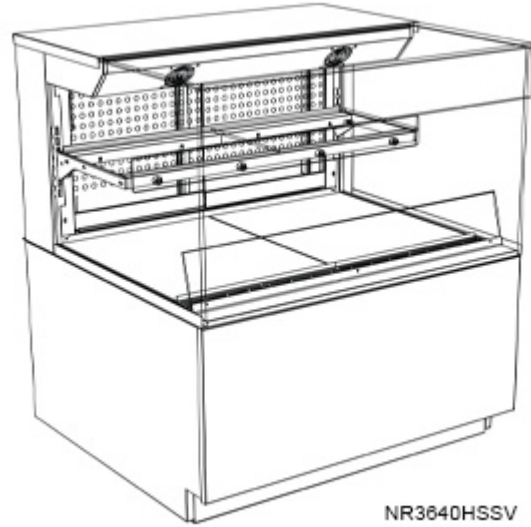


- **NR3640HSSV** 35-3/4"L x 33"D x 39-5/8"H
- **NR4840HSSV** 47-3/4"L x 33"D x 39-5/8"H

Included

- NOTE: Glass warranty only applicable to first point of delivery
- Convection heat
- (1) Level of clear glass shelving removable and adjustable on 1" centers
- Full end panel
- LED top & shelf lights
- One year parts & labor warranty
- Stainless steel interior
- UV bonded frameless glass

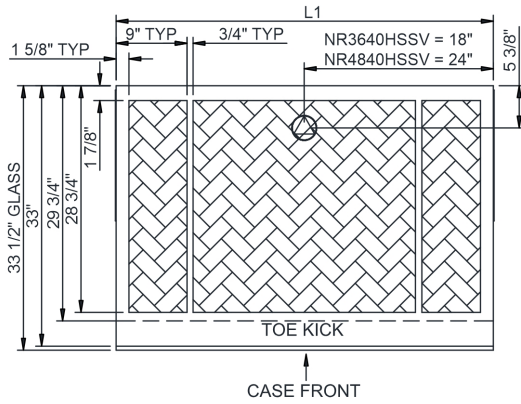


Specify	Standard Features	Additional Options
FRAME EXTERIOR COLOR	• Black	• Painted (non-stock colors, specify RAL#) • Painted (stock colors, specify RAL#) • Stainless steel
PANEL EXTERIOR	• Laminated (non-premium) Confirm pattern/grain direction	• Laminated (premium) Confirm pattern/grain direction • Stainless steel
BASE SUPPORT	• Adjustable, locking casters	• 6"H stainless steel legs
LOWER FRONT PANEL	• Black	• Painted (stock colors, specify RAL#) • Stainless steel
LOWER REAR PANEL	• Black	• Painted (stock colors, specify RAL#) • Stainless steel
UPPER REAR	• Solid back panel	• Clear glass rear sliding doors • Reflective glass rear sliding doors
LIGHTS	• LED 3500K w/ frosted lens	• LED 3000K w/ frosted lens • LED 4000K w/ frosted lens
ELECTRICAL CONNECT	• 10' Straight blade power cord	• 10' Locking blade power cord • Electrical leads (non-refrigerated)
MISCELLANEOUS		¹ • 14.5" Base height extension • Second year parts & labor warranty

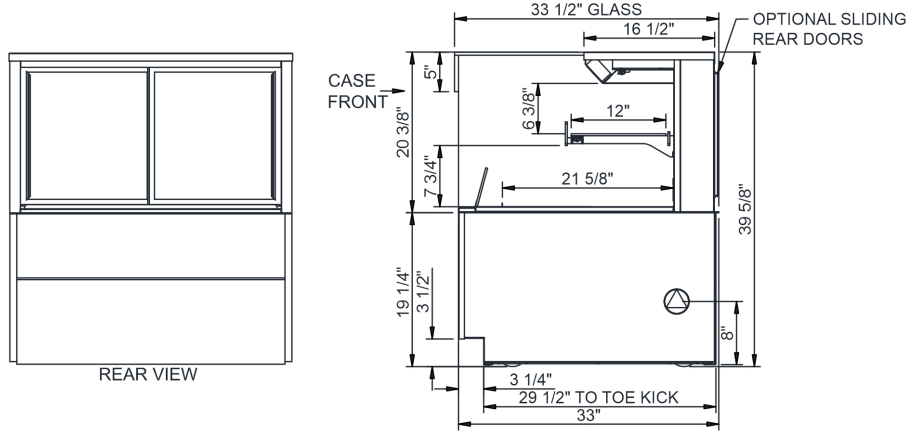
Option Notes: 1 - Cannot be combined w/ 6"H legs

Intended Environment: Type I - Designed to operate in ambient conditions of 75°F with 55% relative humidity unless noted otherwise in system information below.		
Zone	Intended Product To Be Displayed	Warmest Avg Prod Temp ° F
1	Packaged / unpackaged heated products	160

PLAN VIEW



SIDE VIEW



NOTE: ALL DIMENSIONS APPROXIMATE

- ELECTRICAL JUNCTION BOX (SUPPLIED WITH 6" LEADS OR POWER CORD).
- LOCATION OF DRAIN TUBE FOR REMOTE REF. ONLY (SUPPLIED WITH 3/4" OR 1 1/2" PVC TUBE).

- REFRIGERATION LINE CONNECTION.
- REMOTE FLOOR SINK & UTILITIES ACCESS AREA.

- SELF-CONTAINED CASE SERVICE ACCESS AREA.
- DRY CASE SERVICE ACCESS AREA.

Model Technical Specifications																	
Model	L"	L1"	L2"	System Circuit Volts			Phs	Freq	Amps ***	Watts	Wires	NEMA Plug	SST	Conv. Rack BTUH	Para. Rack BTUH	Est Wt	
NR3640HSSV	N/A	35.75	.00	Heat (N/A)			Circuit #1	208-240	1	60	12.38	2,416	2+G	6-20P or L6-20P	N/A	N/A	750
NR4840HSSV	N/A	47.75	.00	Heat (N/A)			Circuit #1	208-240	1	60	18.14	3,575	2+G	6-30P or L6-30P	N/A	N/A	950

*** Does not include electric defrost on freezer models.

Regulatory Approvals:
None



Important Notes:

- 1) ELECTRICAL NOTE: If GFCI is required, a GFCI breaker MUST be used in lieu of a GFCI receptacle
- 2) Glass warranty only applicable to first point of delivery.

⚠ WARNING: This product can expose you to chemicals, including Urethane (Ethyl Carbamate), which are known to the State of California to cause cancer and birth defects or other reproductive harm. For more information go to www.P65Warnings.ca.gov.

Note: Information is subject to change at any time. Visit www.structuralconcepts.com for the most current specs.

21759098

Revised 2-22-2022